

Evolution Series • Model EVOx-2RG-BB

Dimensions & Specifications

Exterior Size WxDxH (Inches)	55" x 35.1875" x 80.125"
Interior Size WxDxH (Inches)	50" x 27.5" x 56.375"
Hinged Glass Door	2
Interior Capacity (Cu/Ft)	44.9
Stainless Steel Drawers	(12) Full Extension
Shipping Weight	532 lbs.

Refrigeration System

Refrigerant	R-134a
Refrigerating Cycle	+ 2°C ~ + 8° C
Refrigeration System	Expansion Valve, Forced Air
Defrost Method	Automatic

Electrical System

Horse Power	1/2+
Power Supply	115/60/1
Amps	FLA (13.8) RLA (12.0)
BTU	4210 (REV 3.1)
NEMA Plug	5-15P

Controller Specifications

Digital Microprocessor	LCD Screen
Touch Key Pad	Multi-program
High/Low Visual Alarm	Yes
High/Low Audible Alarm	Yes
Migali® IntelVU®	Optional*

Construction

Exterior	304 Series Stainless Steel
Interior	White Powder Coated Aluminium
(2) Hinged Glass Doors	Triple-pane, Low-E Glass Coating
Heavy-Duty Hinges	Chrome, Side-mount
Full-length Handle	ADA Compliant full-length extruded aluminum handle w/ lock and key

Other Features

Access Port	Right Side, 2.125" Diameter
Product Simulator	Glycol & Probe Included
Migali® Paper Chart Recorder	4", 7 Day
Monitoring Alarm	Hi/Lo Alarm w/ Dry Contacts
Casters	(2) Locking, (2) Non-Locking
Control Panel	Hinged Access to Condenser for Easy Preventive Maintenance

Warranty Protection Plan

Compressor	7 years
Parts	2 years
Labor	1 year

Certifications

ETL Electrical-Intertek	cETLus
-------------------------	--------

Migali® IntelVU®

*Migali® IntelVU®: Touch Screen Microprocessor, 24/7 temperature monitoring, downloadable via USB port, full control over refrigerator performance with many additional features. See Migali® IntelVU® spec sheet.



*Shown with optional IntelVU® Touch Screen Display

Made in the USA. Trusted Since 1955

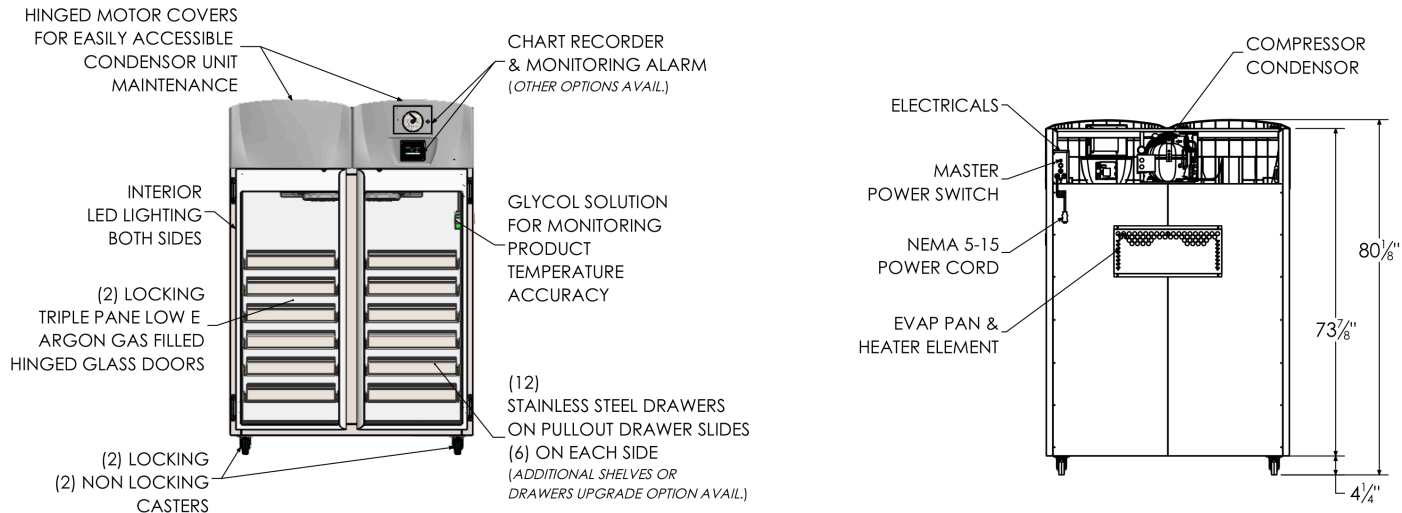
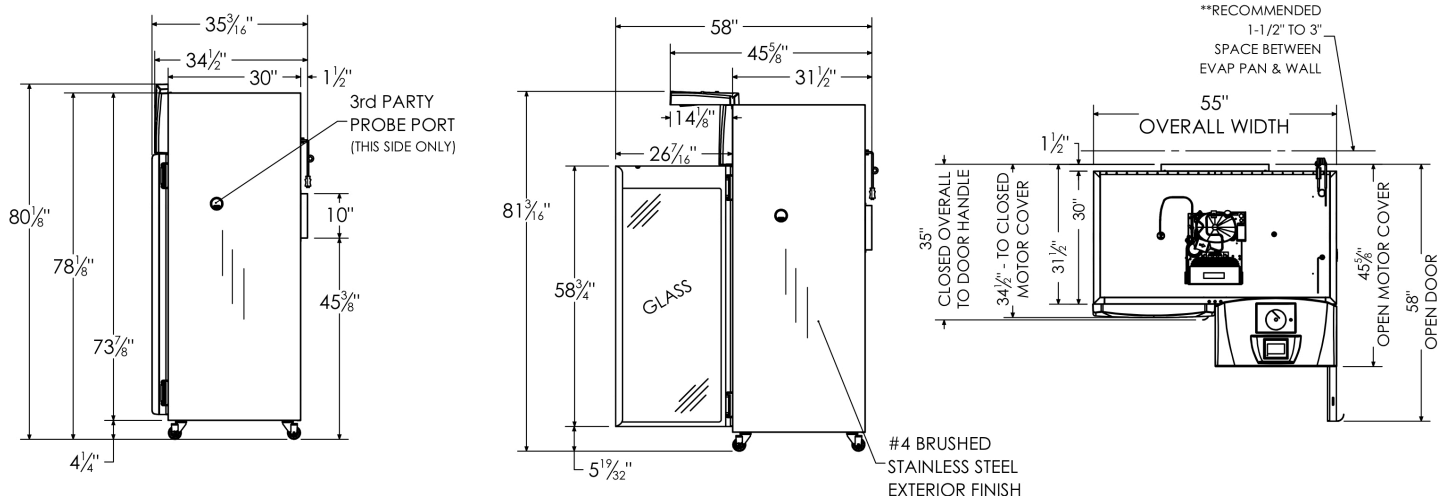
MIGALI® SCIENTIFIC

Toll Free: 855-464-4254 Fax: 856-963-3604

Email: contact@migaliscientific.com Web: www.migaliscientific.com



Evolution Series • Model EVOx-2RG-BB



Made in the USA. Trusted Since 1955

MIGALI[®] SCIENTIFIC

Toll Free: 855-464-4254 Fax: 856-963-3604

Email: contact@migaliscientific.com Web: www.migaliscientific.com

