

Evolution Series • Model EVOx-2PT

Dimensions & Specifications

Exterior Size WxDxH (Inches)	55" x 37.375" x 80.125"
Interior Size WxDxH (Inches)	50" x 29.75" x 56.375"
Hinged Glass Door	4
Interior Capacity (Cu/Ft)	48.1
Powder Coated Shelves	12
Shipping Weight	614 lbs.

Refrigeration System

Refrigerant	R-134a
Refrigerating Cycle	+ 2°C ~ + 8° C
Refrigeration System	Expansion Valve, Forced Air
Defrost Method	Automatic

Electrical System

Horse Power	1/2+
Power Supply	115/60/1
Amps	FLA (14.3) RLA (12.5)
BTU	4210 (REV 3.1)
NEMA Plug	5-20P

Controller Specifications

Digital Microprocessor	LCD Screen
Touch Key Pad	Multi-program
High/Low Visual Alarm	Yes
High/Low Audible Alarm	Yes
Migali® IntelVU®	Optional*

Construction

Exterior	304 Series Stainless Steel
Interior	White Powder Coated Aluminium
(4) Hinged Glass Doors	Triple-pane, Low-E Glass Coating
(4) Full-length Handle	ADA Compliant full-length extruded aluminum handle w/ lock and key

Other Features

Access Port	Right Side, 2.125" Diameter
Product Simulator	Glycol & Probe Included
Casters	(2) Locking, (2) Non-Locking
Control Panel	Hinged Access to Condenser for Easy Preventive Maintenance

Warranty Protection Plan

Compressor	7 years
Parts	2 years
Labor	1 year

Certifications

ETL Electrical-Intertek	cETLus
-------------------------	--------

Migali® IntelVU®

*Migali® IntelVU®: Touch Screen Microprocessor, 24/7 temperature monitoring, downloadable via USB port, full control over refrigerator performance with many additional features. See Miglai® IntelVU® spec sheet.



(-) Side

(+) Side

*Shown with optional IntelVU® Touch Screen Display

Made in the USA. Trusted Since 1955

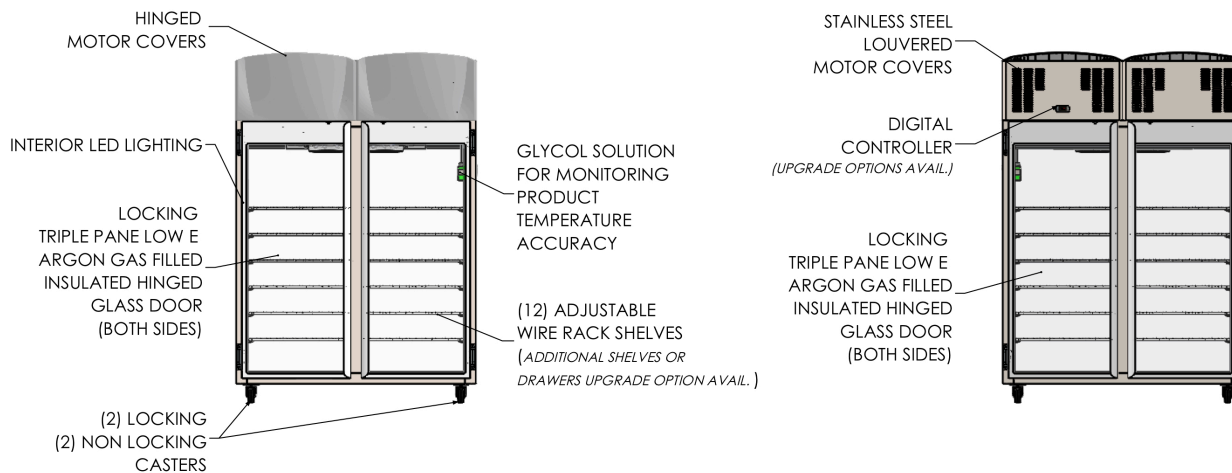
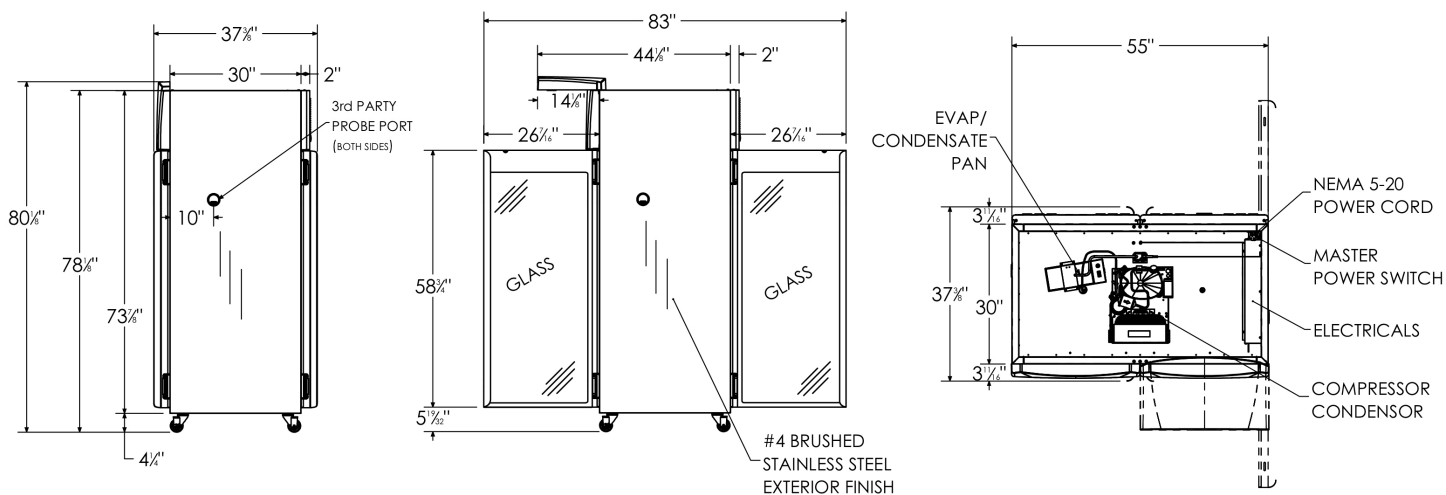
MIGALI® SCIENTIFIC

Toll Free: 855-464-4254 Fax: 856-963-3604

Email: contact@migaliscientific.com Web: www.migaliscientific.com



Evolution Series • Model EVOx-2PT



Made in the USA. Trusted Since 1955

MIGALI[®] SCIENTIFIC

Toll Free: 855-464-4254 Fax: 856-963-3604

Email: contact@migaliscientific.com Web: www.migaliscientific.com

