

Evolution Series • Model EVOx-1RG-BB

Dimensions & Specifications

| | |
|------------------------------|----------------------------|
| Exterior Size WxDxH (Inches) | 27.5" x 35.1875" x 80.125" |
| Interior Size WxDxH (Inches) | 22.5" x 27.5" x 56.375" |
| Hinged Glass Door | 1 |
| Interior Capacity (Cu/Ft) | 20.2 |
| Stainless Steel Drawers | (6) Full Extension |
| Shipping Weight | 380 lbs. |

Refrigeration System

| | |
|----------------------|-----------------------------|
| Refrigerant | R-134a |
| Refrigerating Cycle | + 2°C ~ + 8° C |
| Refrigeration System | Expansion Valve, Forced Air |
| Defrost Method | Automatic |

Electrical System

| | |
|--------------|---------------------|
| Horse Power | 1/3+ |
| Power Supply | 115/60/1 |
| Amps | FLA (9.8) RLA (8.6) |
| BTU | 2660 (REV 3.1) |
| NEMA Plug | 5-15P |

Controller Specifications

| | |
|------------------------|---------------|
| Digital Microprocessor | LCD Screen |
| Touch Key Pad | Multi-program |
| High/Low Visual Alarm | Yes |
| High/Low Audible Alarm | Yes |
| Migali® IntelVU® | Optional* |

Construction

| | |
|-----------------------|--|
| Exterior | 304 Series Stainless Steel |
| Interior | White Powder Coated Aluminium |
| (1) Hinged Glass Door | Triple-pane, Low-E Glass Coating |
| Heavy-Duty Hinges | Chrome, Side-mount |
| Full-length Handle | ADA Compliant full-length extruded aluminum handle w/ lock and key |

Other Features

| | |
|------------------------------|--|
| Access Port | Right Side, 2.125" Diameter |
| Product Simulator | Glycol & Probe Included |
| Migali® Paper Chart Recorder | 4", 7 Day |
| Monitoring Alarm | Hi/Lo Alarm w/ Dry Contacts |
| Casters | (2) Locking, (2) Non-Locking |
| Control Panel | Hinged Access to Condenser for Easy Preventive Maintenance |

Warranty Protection Plan

| | |
|------------|---------|
| Compressor | 7 years |
| Parts | 2 years |
| Labor | 1 year |

Certifications

| | |
|-------------------------|--------|
| ETL Electrical-Intertek | cETLus |
|-------------------------|--------|

Migali® IntelVU®

*Migali® IntelVU®: Touch Screen Microprocessor, 24/7 temperature monitoring, downloadable via USB port, full control over refrigerator performance with many additional features. See Migali® IntelVU® spec sheet.



*Shown with optional IntelVU® Touch Screen Display

Made in the USA. Trusted Since 1955

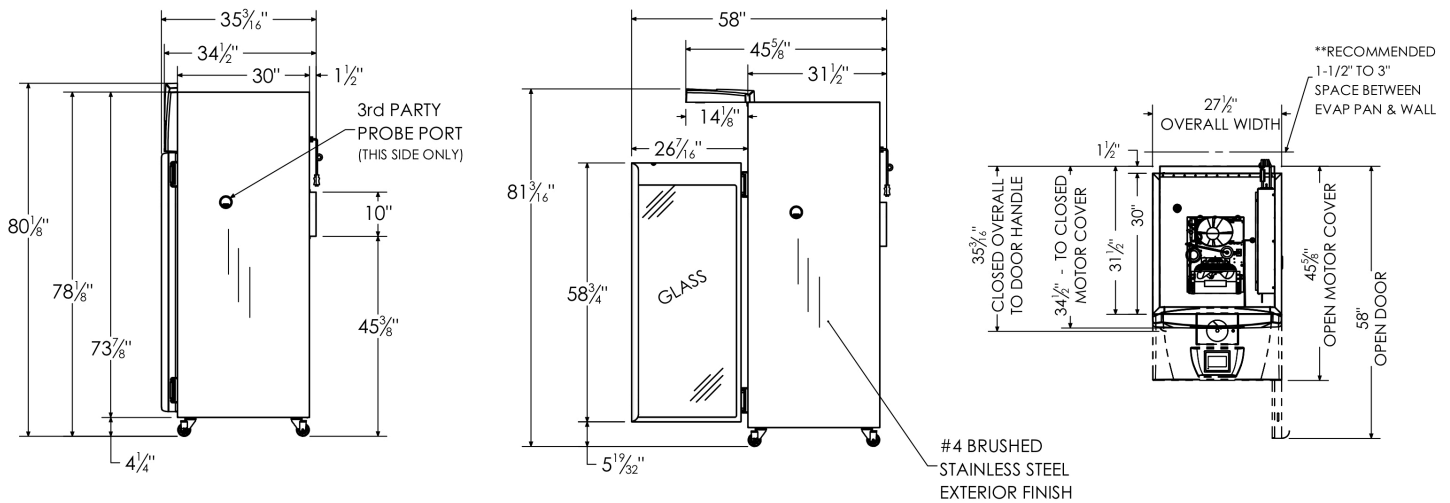
MIGALI® SCIENTIFIC

Toll Free: 855-464-4254 Fax: 856-963-3604

Email: contact@migaliscientific.com Web: www.migaliscientific.com



Evolution Series • Model EVOx-1RG-BB



HINGED MOTOR COVER FOR EASILY ACCESSIBLE CONDENSOR UNIT MAINTENANCE

CHART RECORDER & MONITORING ALARM (OTHER OPTIONS AVAIL.)

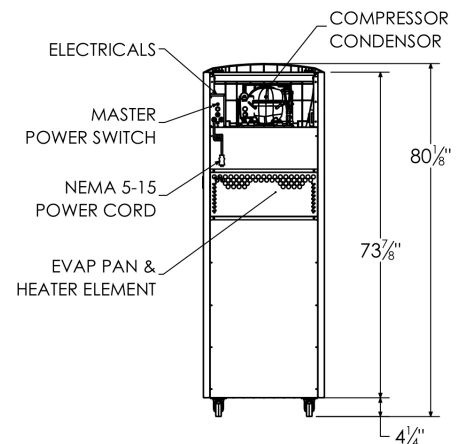
INTERIOR LED LIGHTING

GLYCOL SOLUTION FOR MONITORING PRODUCT TEMPERATURE ACCURACY

LOCKING TRIPLE PANE LOW E ARGON GAS FILLED INSULATED HINGED GLASS DOOR (R.H. DOOR SHOWN L.H. DOORS AVAIL.)

(6) STAINLESS STEEL SLIDING DRAWERS (ADDITIONAL SHELVES OR DRAWERS UPGRADE OPTION AVAIL.)

(2) LOCKING (2) NON LOCKING CASTERS



Made in the USA. Trusted Since 1955

MIGALI[®] SCIENTIFIC

Toll Free: 855-464-4254 Fax: 856-963-3604

Email: contact@migaliscientific.com Web: www.migaliscientific.com

