

Evolution Series • Model EVOx-1F-BB

Dimensions & Specifications

| | |
|------------------------------|-------------------------|
| Exterior Size WxDxH (Inches) | 27.5" x 35" x 80.125" |
| Interior Size WxDxH (Inches) | 22.5" x 27.5" x 56.375" |
| Hinged Solid Door | 1 |
| Interior Capacity (Cu/Ft) | 20.2 |
| Stainless Steel Shelves | (6) Full Extension |
| Shipping Weight | 382 lbs. |

Refrigeration System

| | |
|----------------------|-----------------------------|
| Refrigerant | R-404a |
| Refrigerating Cycle | -30° C ~ -15° C |
| Refrigeration System | Expansion Valve, Forced Air |
| Defrost Method | Automatic |

Electrical System

| | |
|--------------|-----------------------|
| Horse Power | 3/4+ |
| Power Supply | 115/60/1 |
| Amps | FLA (11.5) RLA (10.0) |
| BTU | 2650 (REV 3.1) |
| NEMA Plug | 5-20P |

Controller Specifications

| | |
|------------------------|---------------|
| Digital Microprocessor | LCD Screen |
| Touch Key Pad | Multi-program |
| High/Low Visual Alarm | Yes |
| High/Low Audible Alarm | Yes |
| Migali® IntelVU® | Optional* |

Construction

| | |
|-----------------------|---------------------------------|
| Exterior | 304 Series Stainless Steel |
| Interior | White Powder Coated Aluminium |
| (1) Hinged Solid Door | 304 Series Stainless Steel Door |
| Heavy-Duty Hinges | Chrome, Side-mount |
| Positive Latch Handle | Chrome w/ lock and key |

Other Features

| | |
|------------------------------|--|
| Access Port | Right Side, 2.125" Diameter |
| Product Simulator | Glycol & Probe Included |
| Migali® Paper Chart Recorder | 4", 7 Day |
| Monitoring Alarm | Hi/Lo Alarm w/ Dry Contacts |
| Casters | (2) Locking, (2) Non-Locking |
| Control Panel | Hinged Access to Condenser for Easy Preventive Maintenance |

Warranty Protection Plan

| | |
|------------|---------|
| Compressor | 7 years |
| Parts | 2 years |
| Labor | 1 year |

Certifications

| | |
|-------------------------|--------|
| ETL Electrical-Intertek | cETLus |
|-------------------------|--------|

Migali® IntelVU®

*Migali® IntelVU®: Touch Screen Microprocessor, 24/7 temperature monitoring, downloadable via USB port, full control over refrigerator performance with many additional features. See Migali® IntelVU® spec sheet.



*Shown with optional IntelVU® Touch Screen Display

Made in the USA. Trusted Since 1955

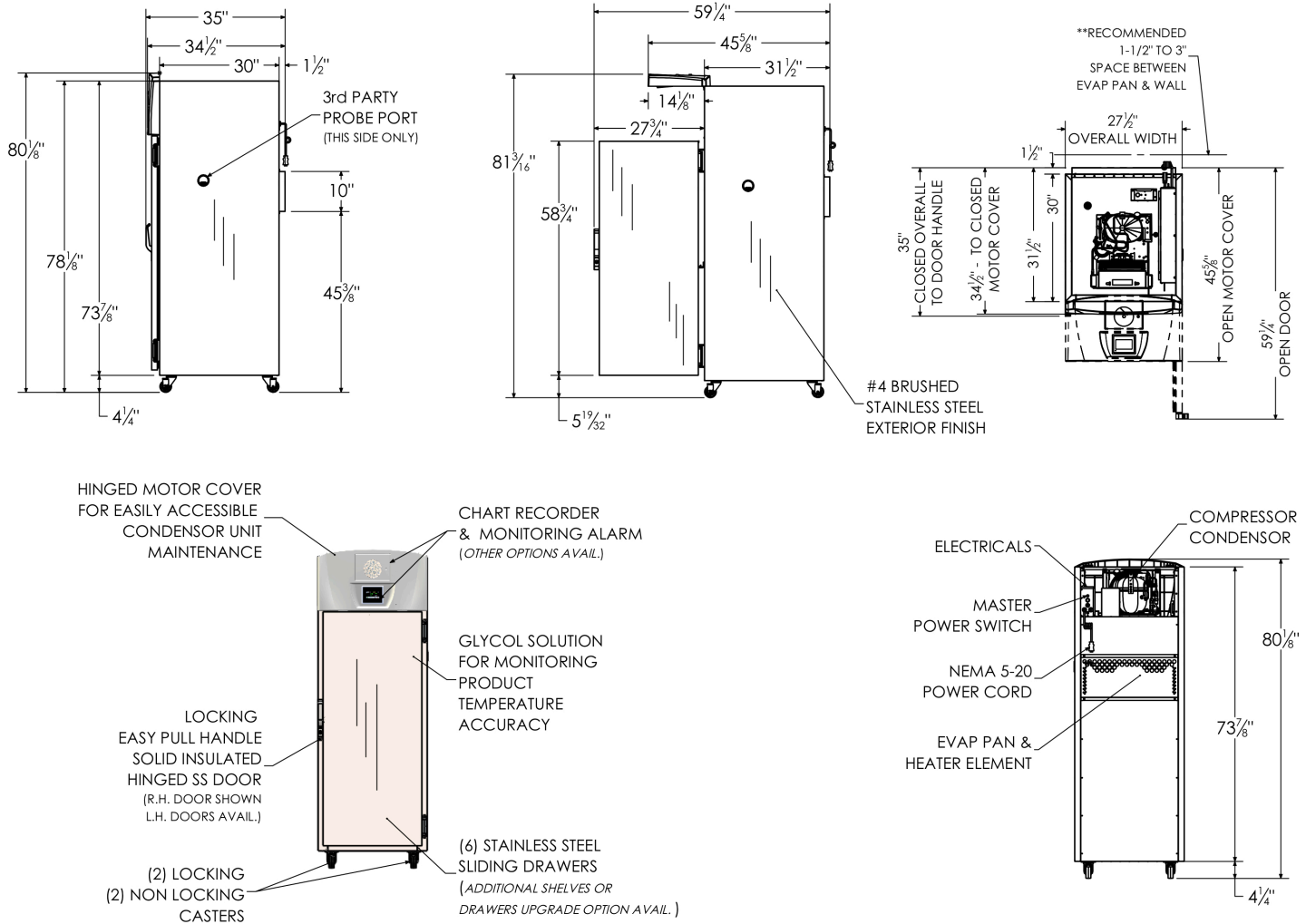
MIGALI® SCIENTIFIC

Toll Free: 855-464-4254 Fax: 856-963-3604

Email: contact@migaliscientific.com Web: www.migaliscientific.com



Evolution Series • Model EVOx-1F-BB



Made in the USA. Trusted Since 1955

MIGALI[®] SCIENTIFIC

Toll Free: 855-464-4254 Fax: 856-963-3604

Email: contact@migaliscientific.com Web: www.migaliscientific.com

